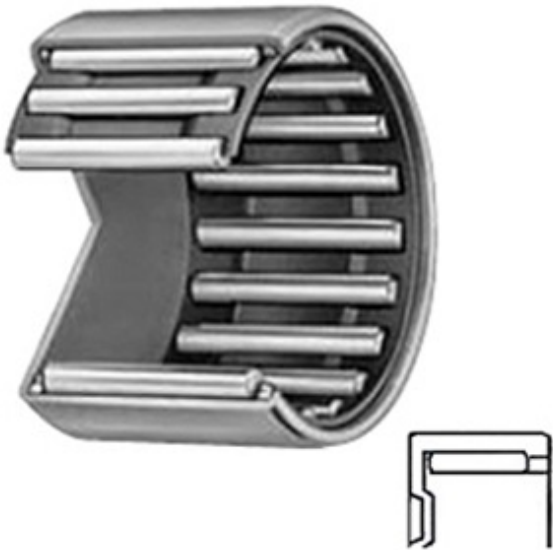




NTN BEARING USA CORP.



BAM2620 Bearing 2D drawings and 3D CAD models

1.625 Inch | 41.275 Millimeter x 2 Inch | 50.8 Millimeter x 1.25 Inch | 31.75 Millimeter IKO
 BAM2620 Needle Non Thrust Roller Bearings

Bearing No. BAM2620

Category	Needle Non Thrust Roller Bearings
Inventory	0.0
Manufacturer Name	IKO
Minimum Buy Quantity	N/A
Weight	0.115
Product Group	B04144
Rolling Element	Needle Roller Bearing
Component	Roller Assembly with Outer Ring - No Inner Ring
Enclosure	Open
Self Aligning	No
Retainer	Yes
Number of Rows of Rollers	Single Row
Separable	No
Closed End	Yes
Inch - Metric	Inch
Relubricatable	No
Thrust Bearing	No
Long Description	1-5/8" Bore; 2" Outside Diameter; 1-1/4" Width; Needle Roller Bearing; Roller Assembly with Outer Ring - No Inner Ring; Open Enclosure; No Self Aligning; Yes Retainer; Single Row of Rol



NTN BEARING USA CORP.

Other Features	1 Rib Outer Ring Drawn Cup Bearing
Category	Needle Non Thrust Roller Bearing
UNSPSC	31171512
Harmonized Tariff Code	8482.40.00.00
Noun	Bearing
Keyword String	Needle
Manufacturer URL	http://www.ikont.com
Manufacturer Item Number	BAM2620
Weight / LBS	0.254
B	1.25 Inch 31.75 Millimeter
d	1.625 Inch 41.275 Millimeter
D	2 Inch 50.8 Millimeter