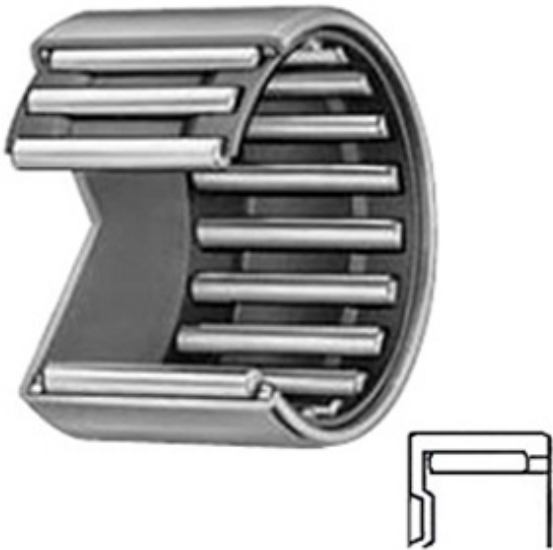




NTN BEARING USA CORP.



BAM2212 Bearing 2D drawings and 3D CAD models

1.375 Inch | 34.925 Millimeter x 1.625 Inch |
 41.275 Millimeter x 0.75 Inch | 19.05 Millimeter
 IKO BAM2212 Needle Non Thrust Roller Bearings

Bearing No. BAM2212

Category	Needle Non Thrust Roller Bearings
Inventory	0.0
Manufacturer Name	IKO
Minimum Buy Quantity	N/A
Weight	0.04
Product Group	B04144
Rolling Element	Needle Roller Bearing
Component	Roller Assembly with Outer Ring - No Inner Ring
Enclosure	Open
Self Aligning	No
Retainer	Yes
Number of Rows of Rollers	Single Row
Separable	No
Closed End	Yes
Inch - Metric	Inch
Relubricatable	No
Thrust Bearing	No
Long Description	1-3/8" Bore; 1-5/8" Outside Diameter; 3/4" Width; Needle Roller Bearing; Roller Assembly with Outer Ring - No Inner Ring; Open Enclosure; No Self Aligning; Yes Retainer; Single Row of R



NTN BEARING USA CORP.

Other Features	1 Rib Outer Ring Drawn Cup Bearing
Category	Needle Non Thrust Roller Bearing
UNSPSC	31171512
Harmonized Tariff Code	8482.40.00.00
Noun	Bearing
Keyword String	Needle
Manufacturer URL	http://www.ikont.com
Manufacturer Item Number	BAM2212
Weight / LBS	0.09
D	1.625 Inch 41.275 Millimeter
d	1.375 Inch 34.925 Millimeter
B	0.75 Inch 19.05 Millimeter