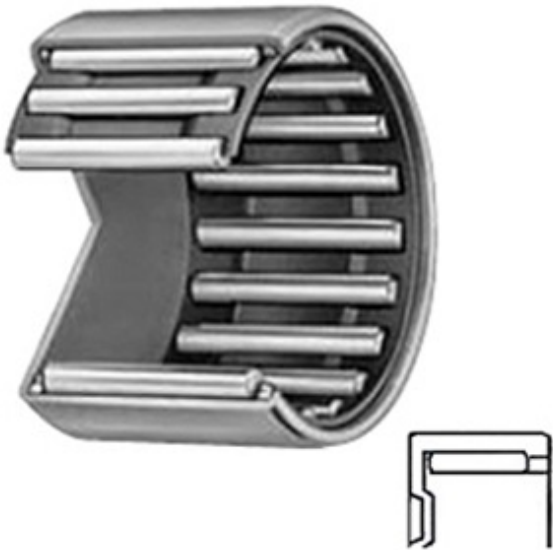




NTN BEARING USA CORP.



BAM1014 Bearing 2D drawings and 3D CAD models

0.625 Inch | 15.875 Millimeter x 0.813 Inch |
 20.65 Millimeter x 0.875 Inch | 22.225 Millimeter
 IKO BAM1014 Needle Non Thrust Roller Bearings

Bearing No. BAM1014

Category	Needle Non Thrust Roller Bearings
Inventory	0.0
Manufacturer Name	IKO
Minimum Buy Quantity	N/A
Weight	0.016
Product Group	B04144
Rolling Element	Needle Roller Bearing
Component	Roller Assembly with Outer Ring - No Inner Ring
Enclosure	Open
Self Aligning	No
Retainer	Yes
Number of Rows of Rollers	Single Row
Separable	No
Closed End	Yes
Inch - Metric	Inch
Relubricatable	No
Thrust Bearing	No
Long Description	5/8" Bore; 13/16" Outside Diameter; 7/8" Width; Needle Roller Bearing; Roller Assembly with Outer Ring - No Inner Ring; Open Enclosure; No Self Aligning; Yes Retainer; Single Row of Rol



NTN BEARING USA CORP.

Other Features	1 Rib Outer Ring Drawn Cup Bearing
Category	Needle Non Thrust Roller Bearing
UNSPSC	31171512
Harmonized Tariff Code	8482.40.00.00
Noun	Bearing
Keyword String	Needle
Manufacturer URL	http://www.ikont.com
Manufacturer Item Number	BAM1014
Weight / LBS	0.036
D	0.813 Inch 20.65 Millimeter
d	0.625 Inch 15.875 Millimeter
B	0.875 Inch 22.225 Millimeter