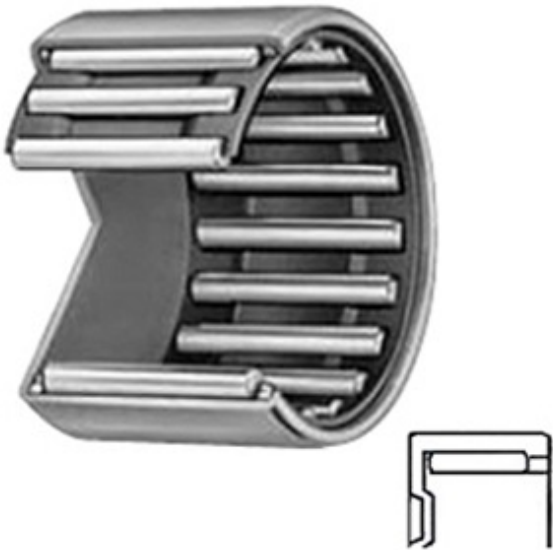




NTN BEARING USA CORP.



TLAM5525 Bearing 2D drawings and 3D CAD models

2.165 Inch | 55 Millimeter x 2.48 Inch | 63
 Millimeter x 0.984 Inch | 25 Millimeter IKO
 TLAM5525 Needle Non Thrust Roller Bearings

Bearing No. TLAM5525

Category	Needle Non Thrust Roller Bearings
Inventory	0.0
Manufacturer Name	IKO
Minimum Buy Quantity	N/A
Weight	0.117
EAN	4549557058134
Product Group	B04144
Rolling Element	Needle Roller Bearing
Component	Roller Assembly with Outer Ring - No Inner Ring
Enclosure	Open
Self Aligning	No
Retainer	Yes
Number of Rows of Rollers	Single Row
Separable	No
Closed End	Yes
Inch - Metric	Metric
Relubricatable	No
Thrust Bearing	No
Long Description	55MM Bore; 63MM Outside Diameter; 25MM Width; Needle Roller Bearing; Roller Assembly with Outer Ring - No Inner Ring; Open Enclosure; No Self Aligning; Retainer;



NTN BEARING USA CORP.

	Single Row of Rollers; No Separable; C
Other Features	1 Rib Outer Ring Drawn Cup Bearing
Category	Needle Non Thrust Roller Bearing
UNSPSC	31171512
Harmonized Tariff Code	8482.40.00.00
Noun	Bearing
Keyword String	Needle
Manufacturer URL	http://www.ikont.com
Manufacturer Item Number	TLAM5525
Weight / LBS	0.26
D	2.48 Inch 63 Millimeter
d	2.165 Inch 55 Millimeter
B	0.984 Inch 25 Millimeter